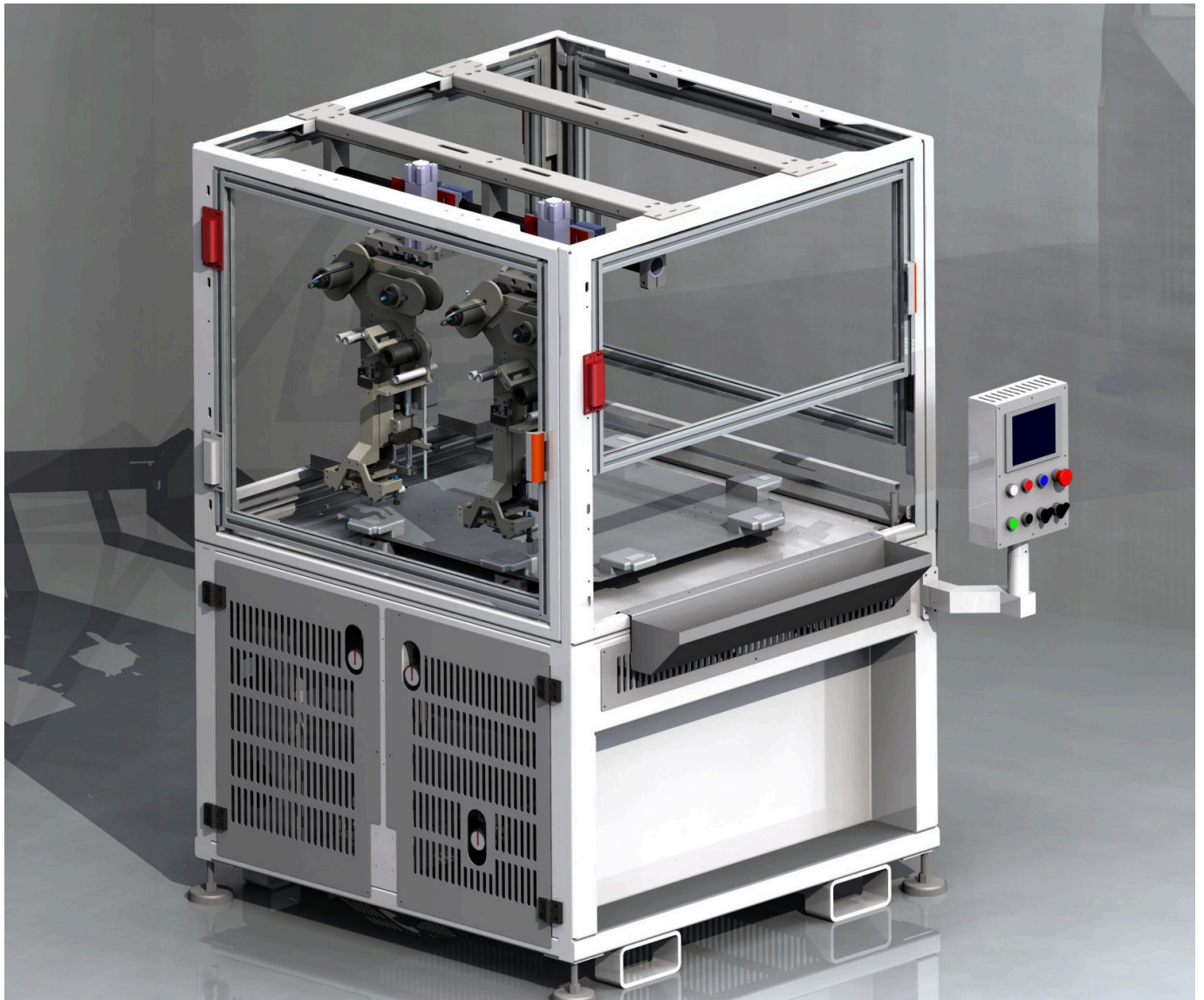


# AUTOMATIC SEWING SYSTEMS

AUTOMATIC HEAT TRANSFER MACHINE TO APPLY  
NON-SLIP TAPE ON TEXTILE PRODUCTS

WM-01



## AUTOMATIC SEWING SYSTEMS

WM-01

Automatic heat transfer machine to apply non-slip tape on textile products. From our cooperation with Faitplast, manufacturer of revolutionary non slip tape "With Me", comes the machine Santoni WM-01 to heat transfer the tape on no-shows, footlets and knee-highs. The ease of use ensures high productivity and flexibility needed to apply the tape, with different shapes, on different areas of textile products.

# AUTOMATIC SEWING SYSTEMS

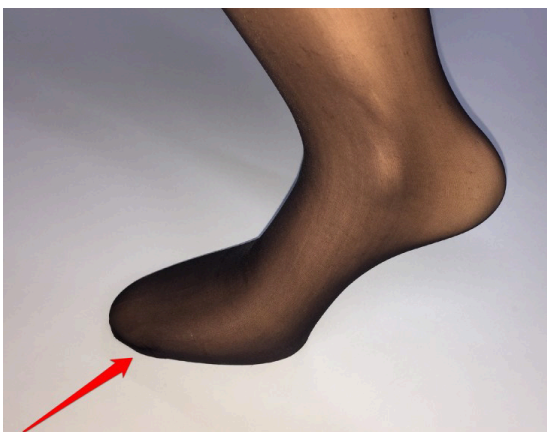
WM-01

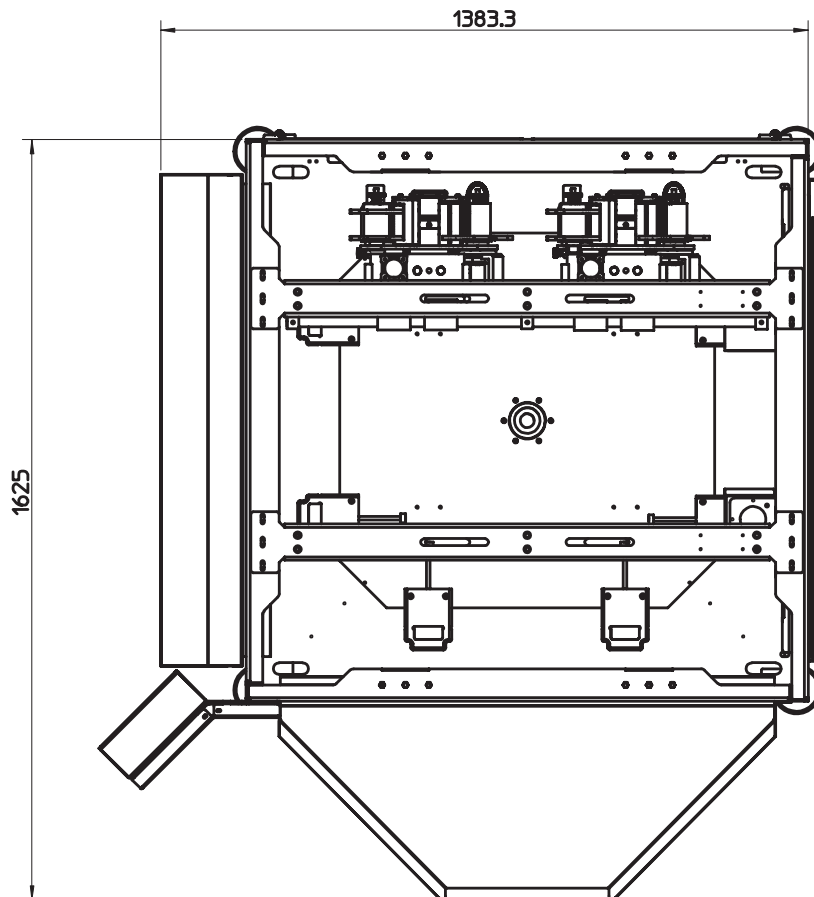
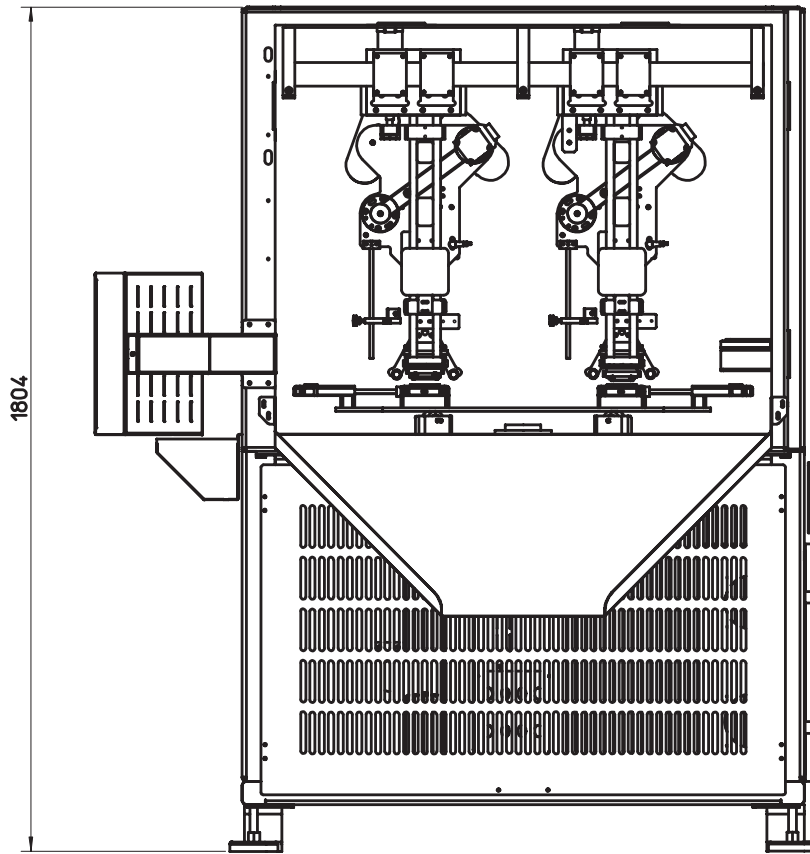
Specification	Value
Air pressure	6 bar
Air consumption	0,1 m3/h
Absorbed power	1,5 Kw
Minimum cycle time	5 Sec./2 pcs.
Max. Production	1.440 Pcs/hr

Features
100% latex and silicone free
No skin irritation or allergic reaction
Laboratory tested
Great elasticity and spring back
Keeps grip and elasticity after many washes
Oeko Tex Standard 100 certified
Extra comfort fitting

Applications: Underwear, Sportswear, Swimwear, Medical Textiles, Technical Textiles.

**WITH ME**<sup>®</sup>  
SILICONE FREE







**SANTONI SPA**

Via Carlo Fenzi, 14 - 25135 Brescia - Italy  
Tel. +39 030 37671 Fax +39 030 3767400

P.IVA e CF: IT 00273280172

info.santoni@santoni.com - www.santoni.com