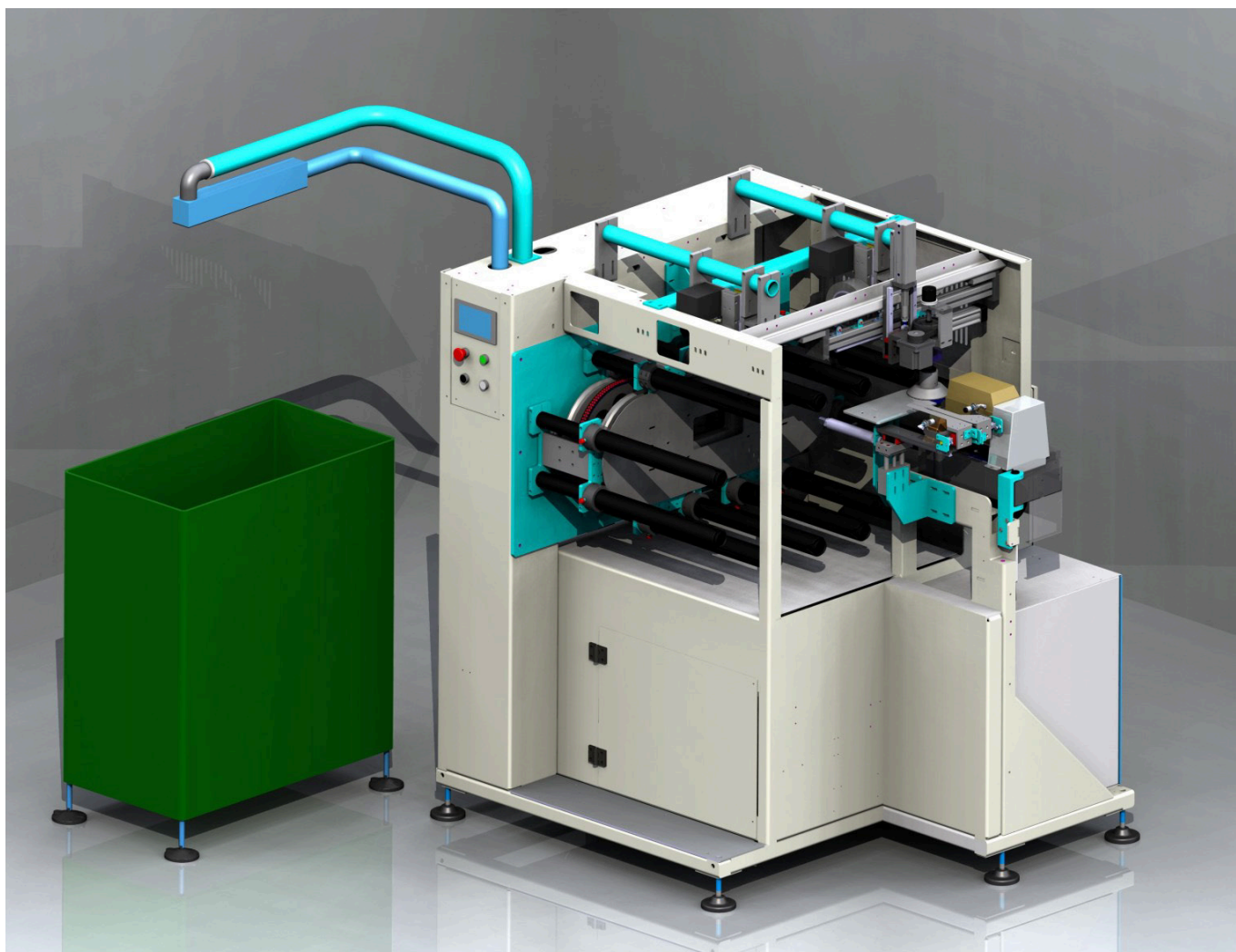


AUTOMATIC SEWING SYSTEMS

AUTOMATIC TOE CLOSER FOR MEDICAL
KNEE-HIGHS AND STOCKINGS

TC SMART



AUTOMATIC SEWING SYSTEMS

TC SMART

Automatic Toe Closer for pantyhose. Santoni TC Smart has been specifically designed for the pre-assembled pantyhose or "One Piece" toes seaming. Machine can be connected to the OP Smart in order to allow a fully automatic seaming process of the "One Piece" or manually operated for pre-assembled pantyhoses. TC Smarts operates on both toes with a perfect round seaming "fish mouth", as requested on top quality products. The simplicity of operation facilitates the installation and the use of the machine, enhances reliability and reduces operation and maintenance costs.

AUTOMATIC SEWING SYSTEMS

TC SMART

Specification	Value
Air pressure	6 bar
Air consumption	200 NI/min
Absorbed power	5 Kw
Avg. Production	35 Dz/hr (pair)

Features
PLC for the electronic control of all main functions of the seaming cycle
Electronic self-diagnosis with visualized errors or malfunctions
Touch-screen display for the machine setting with possibility to store different sewing programs
Qty. 12 sewing tubes
Toe shaping by means of a rotating plate

Optional
Sewing head with twin needles
Toe positioning kit with color detector
Heel/toe positioning kit

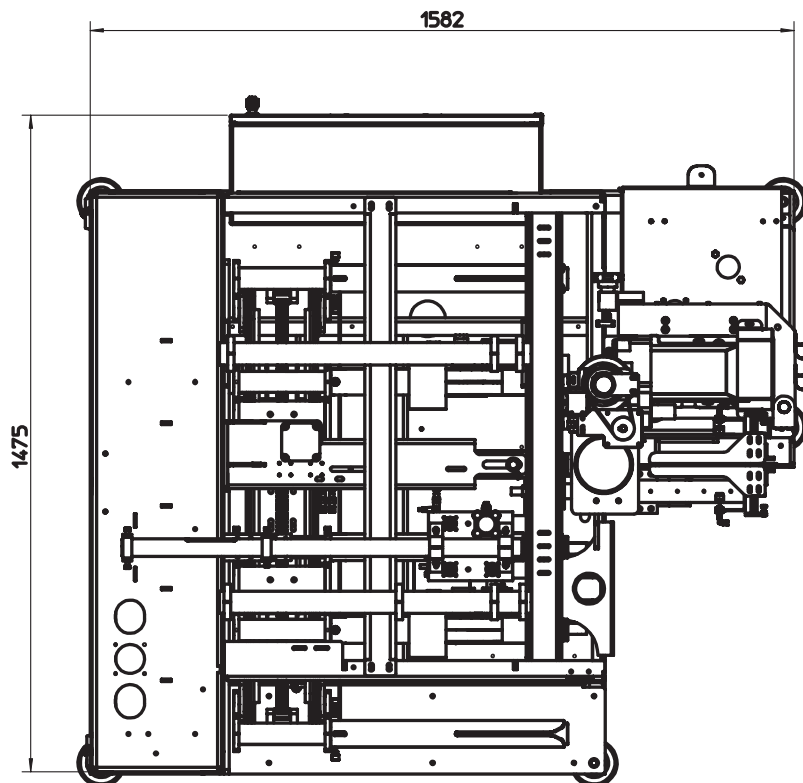
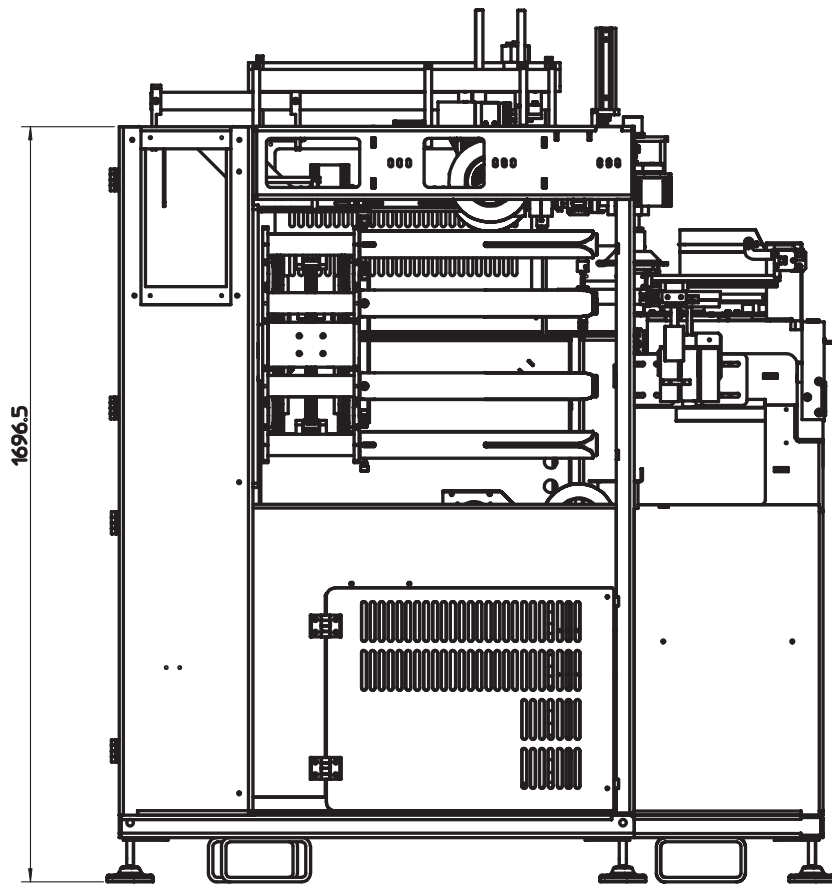
Applicazioni: Underwear, Sportswear, Swimwear, Medical Textiles, Technical Textiles.



DISCLAIMER:

Technical data given in this brochure are for information only. Santoni S.p.A. reserves the right to modify the machine features without forewarning and without the obligation to apply any modification to the machines already installed. Pictures are exemplifying and have not to be regarded as a reference.

Santoni is recommending needles from
GROZ-BECKERT®





SANTONI SPA

Via Carlo Fenzi, 14 - 25135 Brescia - Italy
Tel. +39 030 37671 Fax +39 030 3767400

P.IVA e CF: IT 00273280172

info.santoni@santoni.com - www.santoni.com