

AUTOMATIC SEWING SYSTEMS

AUTOMATIC BOARDING MACHINE FOR KNEEHIGHS AND STOCKINGS
DIRECTLY LINKED TO THE TOE CLOSER.

LC36 SP/DP



AUTOMATIC SEWING SYSTEMS

LC36 SP/DP

The new pantyhose seaming machine entirely developed and built by Santoni sets very high standards in sewing quality and superior flexibility thanks to the fully electronic control.

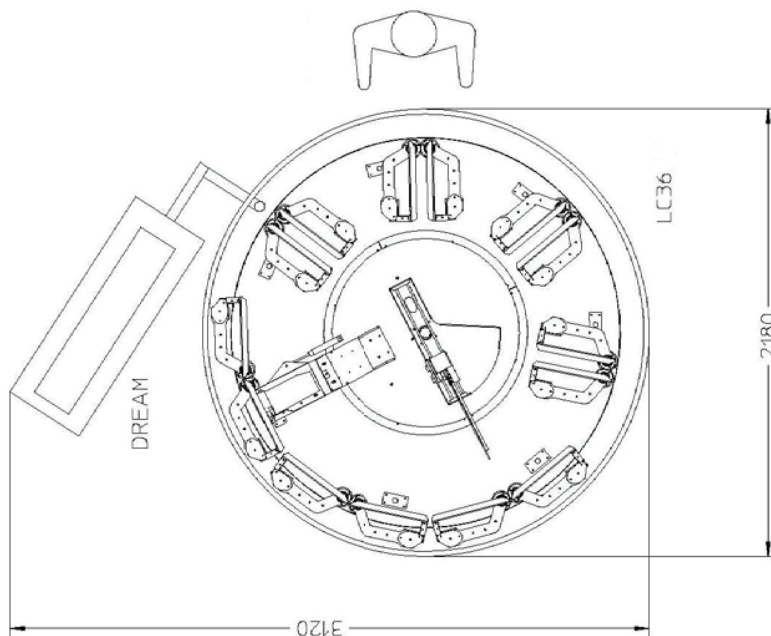
AUTOMATIC SEWING SYSTEMS

LC36 SP/DP

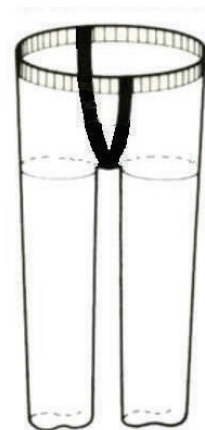
Specification	Value
Dimensions	Ø 2.200 x 2.100 (h) mm
Sewing heads	Nr. 1 Union Special 9M
Clamps	Nr. 7 - 360 mm
Air pressure	6 bar
Air consumption	200 NI/min
Absorbed power	3,7 Kw
Minimum cycle time	4,5 Sec.
Max. Production	66 Dz/hr (pair)

Features
Qty. 7 clamps with solenoid closing system
External electrical rail to operate the clamps makes maintenance easier
Wide clear area around loading station allows to accommodate up to 2 operators
Double positioning device (DP) to correctly align waistband and crotch or single positioner (SP) for welts only
Possibility to link to a toe closer
Intermediate unloading system for garments not correctly positioned (with DP only)

Applications: Underwear, Sportswear, Swimwear, Medical Textiles, Technical Textiles.



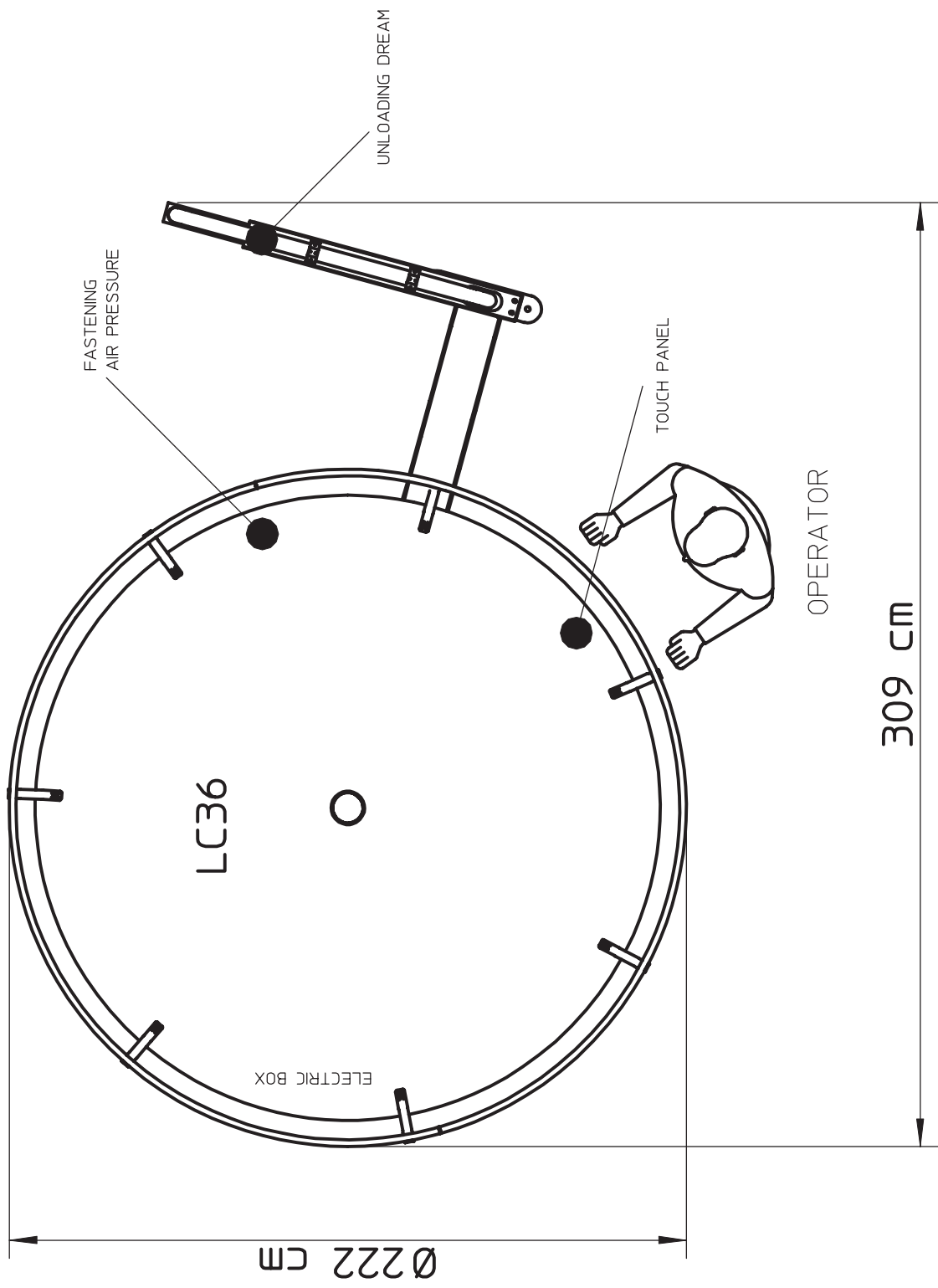
U-SEAMING



DISCLAIMER:

Technical data given in this brochure are for information only. Santoni S.p.A. reserves the right to modify the machine features without forewarning and without the obligation to apply any modification to the machines already installed. Pictures are exemplifying and have not to be regarded as a reference.

Santoni is recommending needles from
GROZ-BECKERT®





SANTONI SPA

Via Carlo Fenzi, 14 - 25135 Brescia - Italy
Tel. +39 030 376711 Fax +39 030 3767400
P.IVA e CF: IT 00273280172
info@santoni.com - www.santoni.com